

## BLOW OFF Valves

Increased safety with Rapid Release ports (RR)

- Increases safety for RR-ejectors
- Shortens response time
- Blocks at leakage of blow off tube
- Low opening pressure 0.5 bar
- 3/2 valve can be used as blow off signal (Rapid Release)
- Restricted performance when connecting multiple Blow Off Valves to the common blow off valve

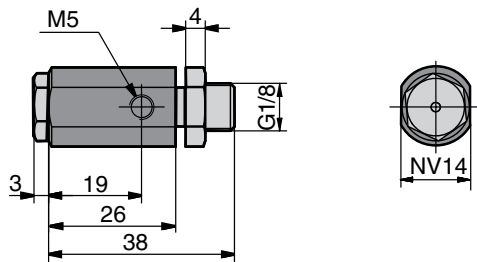
By connecting the Blow Off Valve to the Rapid Release port of the ejector, it prevents vacuum leakage if tubing is damaged or if using a 3/2 valve.

In addition, it reduces the response time, as the tube does not need to be evacuated when creating vacuum. Since the Blow Off Valve opens at a signal pressure of 0.5 bar, several devices can be connected to the same blow off signal.



### Materials:

Body                    Brass  
Seals                    FPM

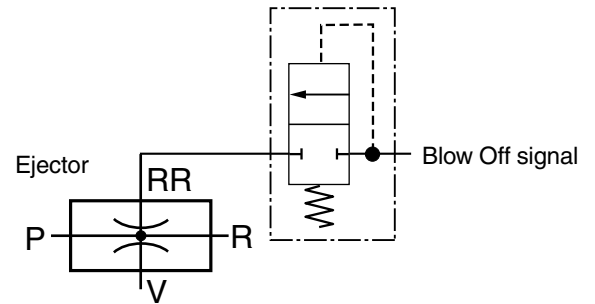


 **3D CAD FILES (STEP)**  
Download via:  
<http://www.avac.se/en/home/>

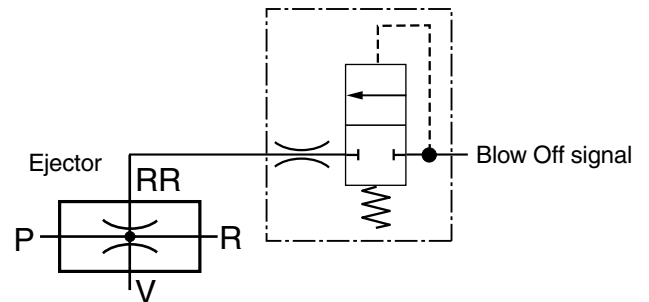
G1/8 = to the generator's RR-connection  
M5 = Connection blow-off signal

Designation	Execution	Weight g	Order no.
Blow Off Valve	Powerful blow off	45	210 018 00
Blow Off Valve	Restricted blow off	45	210 018 01

### Powerful blow off



### Restricted blow off



**Operating Instructions**  
<http://avac.se/pdf/i-1-BLOWOFF.pdf>

