

Ejectors AVAC 10, 20, 30 and 40 MV-MV

- > 85% vacuum at 5 bar supply pressure (5bar required due to pressure drop over solenoid valve)
- Very compact
- Low weight
- Quick response
- Controlled blow off
- Robust
- Simplified wiring for electricity
- Easy mounting

Solenoid valve-operated ejector with blow off (RR) and air consumption of 10-40 l/min of anodized aluminum with an integrated solenoid valve for creating vacuum and one for controlling the blow off. When directly mounted on the suction cup, the integrated solenoid valves for vacuum and Rapid Release offer a minimum response time and greater accuracy.



Materials

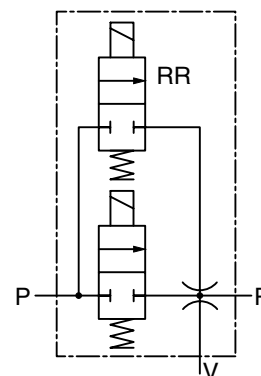
Body Black anodized aluminium
 Nozzle Brass

Temperature

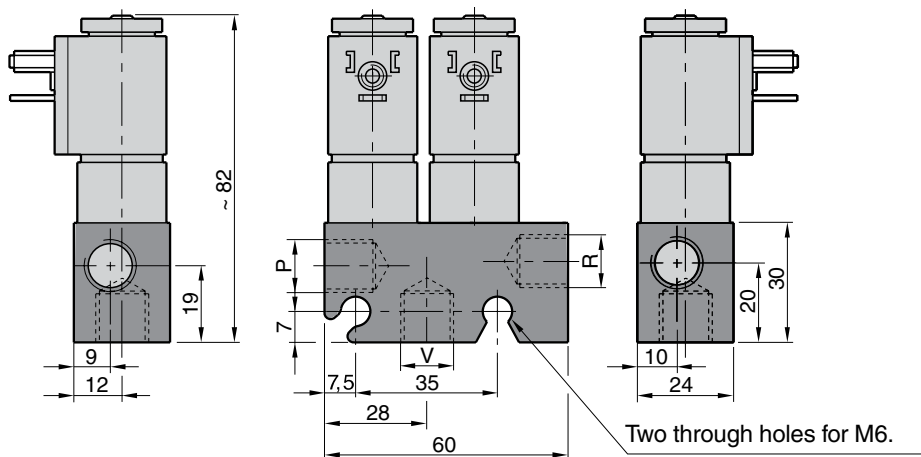
Temperature range -10 to +50 °C

Compressed air

Pressure max 7 bar
 Optimum supply pressure 5 bar



AVAC 10, 20, 30 and 40 MV- MV



P = Air connection
 V = Vacuum Connection
 R = Exhaust



3D CAD FILES (STEP)
 Download via:
<http://www.avac.se/en/home/>

Vacuum flow of the ejector and the primary nozzle diameter

Designation	Vacuum flow at different vacuum level [NI/min]									Primary nozzle(s) Ø mm
	0%	10%	20%	30%	40%	50%	60%	70%	80%	
AVAC 10 MV-MV	7.5	6.5	5.5	4.0	2.5	1.0	0.8	0.5	0.3	0.5
AVAC 20 MV-MV	14.2	12.5	9.8	6.5	4.0	3.0	2.0	0.9	0.5	0.7
AVAC 30 MV-MV	20.1	17.8	15.3	13.0	10.8	8.3	4.8	1.8	0.7	0.95
AVAC 40 MV-MV	28.0	24.4	20.7	17.0	14.5	10.8	7.0	3.4	1.1	1.1

Designation	Connection threads			Air consumption NI/min.	Evacuation time (s)*	Weight g	Order no.
	P	V	R				
AVAC 10 MV-MV, 24VDC	G1/4	G1/4	G1/4	10	18	280	112 010 05
AVAC 20 MV-MV, 24VDC	G1/4	G1/4	G1/4	20	9	280	112 020 05
AVAC 30 MV-MV, 24VDC	G1/4	G1/4	G1/4	30	6	290	112 030 05
AVAC 40 MV-MV, 24VDC	G1/4	G1/4	G1/4	40	4.5	290	112 040 05

* Time to evacuate 1 litre air from atmospheric pressure to 75% vacuum.

Solenoid valve for AVAC 10, 20, 30 and 40 MV-MV

Voltage 24 VDC
 Power 4,8 W
 Max. pressure 7 bar
 Protection class IP65 (with cable connector mounted)



Cable connector according to EN175301-803 type B, (former DIN 43650-B), ISO 6952, to be ordered separately

Designation	Order no.
Cable connector Type B with LED and surge protection	590 000 01

We recommend using the cable connector equipped with LED indicators for an easy overview and troubleshooting, and equipped with surge protection in order to both protect and provide other electrical/electronic equipment a longer lifespan.

Operating Instructions
<http://www.avac.se/pdf/I-MV-MV.pdf>

