

Ejectors 10, 20, 30, 40 and 60 MV

- > 85% vacuum at 5 bar supply pressure (5bar required due to pressure drop over solenoid valve)
- Very compact
- Low weight
- Quick response
- Robust
- Simplified wiring for electricity
- Easy mounting

Solenoid valve-operated ejector without blow off system (RR), with air consumption 10-60 NI/min in anodized aluminum with integrated solenoid valve for creating vacuum. The MV-ejector has a simplified and compact design and offers minimal electrical wiring. When directly mounted on the suction cup, the integrated solenoid valve of the MV-ejector offers a minimum response time.



Materials

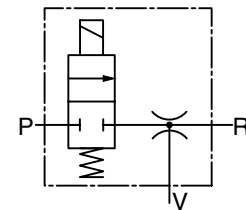
Body Black anodized aluminium
 Nozzle Brass

Temperature

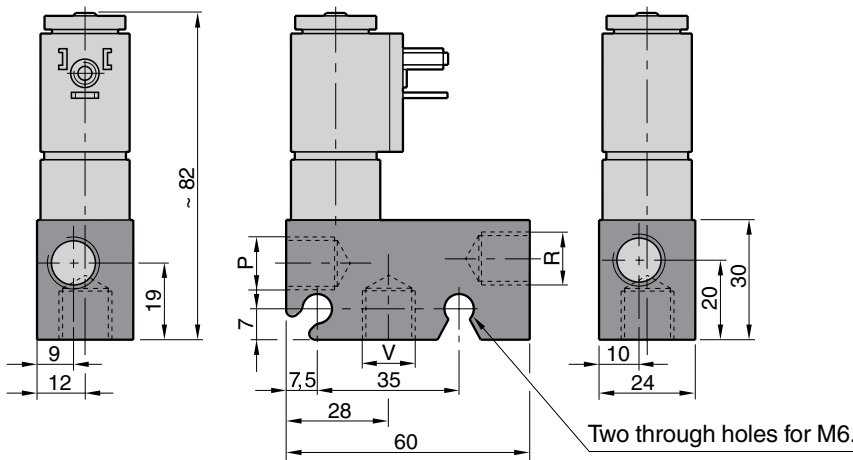
Temperature range -10 to +50 °C

Compressed air

Pressure max 7 bar
 Optimum supply pressure 5 bar

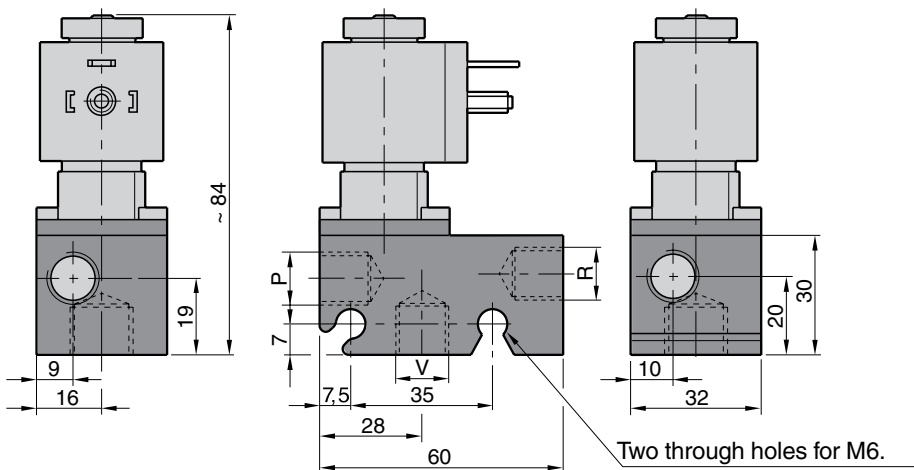


AVAC 10, 20, 30 and 40 MV



3D CAD FILES (STEP)
 Download via:
<http://www.avac.se/en/home/>

AVAC 60 MV



P = Air connection
 V = Vacuum Connection
 R = Exhaust

Vacuum flow of the ejector and the primary nozzle diameter

Designation	Vacuum flow at different vacuum level [NI/min]									Primary nozzle(s) Ø mm
	0%	10%	20%	30%	40%	50%	60%	70%	80%	
AVAC 10 MV	7.5	6.5	5.5	4.0	2.5	1.0	0.8	0.5	0.3	0.5
AVAC 20 MV	14.2	12.5	9.8	6.5	4.0	3.0	2.0	0.9	0.5	0.7
AVAC 30 MV	20.1	17.8	15.3	13.0	10.8	8.3	4.8	1.8	0.7	0.95
AVAC 40 MV	28.0	24.4	20.7	17.0	14.5	10.8	7.0	3.4	1.1	1.1
AVAC 60 MV	44.0	38.9	33.4	28.2	21.0	16.3	11.8	4.8	2.0	1.25

Designation	Connection threads			Air consumption NI/min.	Evacuation time (s)*	Weight g	Order no.
	P	V	R				
AVAC 10 MV, 24VDC	G1/4	G1/4	G1/4	10	18	185	112 010 04
AVAC 20 MV, 24VDC	G1/4	G1/4	G1/4	20	9	185	112 020 04
AVAC 30 MV, 24VDC	G1/4	G1/4	G1/4	30	6	190	112 030 04
AVAC 40 MV, 24VDC	G1/4	G1/4	G1/4	40	4.5	190	112 040 04
AVAC 60 MV, 24VDC	G1/4	G3/8	G1/4	60	3	260	112 060 04

* Time to evacuate 1 litre air from atmospheric pressure to 75% vacuum.

Solenoid valve for AVAC10, 20, 30 and 40 MV

Voltage 24 VDC
Power 4,8 W
Max. pressure 7 bar
Protection class IP65 (with cable connector mounted)

**Solenoid valve for AVAC 60 MV**

Voltage 24 VDC
Power 4,5 W
Max. pressure 10 bar
Protection class IP65 (with cable connector mounted)



Cable connector according to EN175301-803 type B, (former DIN 43650-B), ISO 6952, to be ordered separately

Designation	Order no.
Cable connector Type B with LED and surge protection	590 000 01

Cable connector according to EN175301-803 Type A, (former DIN 43650-A), ISO 4400 to be ordered separately

Designation	Order no.
Cable connector Type A with LED and surge protection	590 024 00

We recommend using the cable connector equipped with LED indicators for an easy overview and troubleshooting, and equipped with surge protection in order to both protect and provide other electrical/electronic equipment a longer lifespan.

Operating Instructions

<http://www.avac.se/pdf/l-l-MV.pdf>

